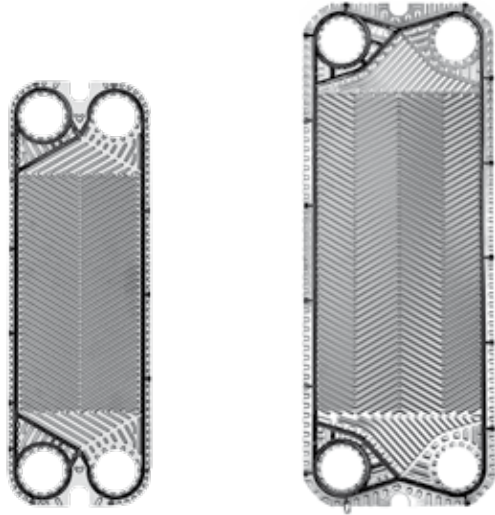




PRODUCT RANGE DN 65+

STANDARD OR CUSTOMIZED

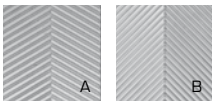




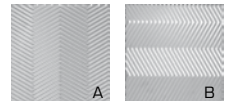
Product Range	P125+		P180+
Exchange area [m ²]	0,125		0,18
Width [mm]	245		320
Height [mm]	723		844
Connections diameter	DN65 2"1/2		DN65 2"1/2
Channel capacity [l]	0,366		0,5
Tightening quote [mm]	3,3		2,85
Plate weight (with gasket) [Kg]	0,69		1,03
Corrugation angle	A/B		A/B
Max. water flowrate [m ³ /h]	80		83
PS=> Max working pressure [bar]	10	16	10

Ex art. 3.3 D.Lgs. 93 of 25/02/2000 in accordance with Directive 97/23/CE.
Announced pressures are referred to AISI 316L plates.

S125+



Plates are available in two thermal lengths (A/B)



S180+

DN32

DN50

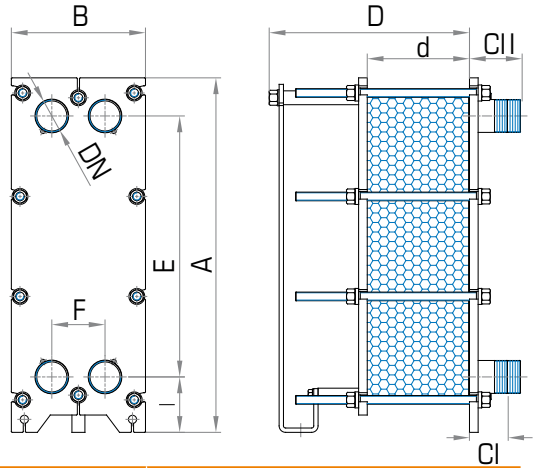
DN65

DN100

DN150

DN200

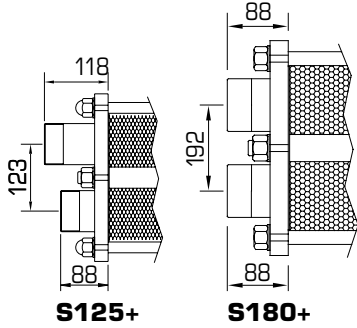
Frames dimensions



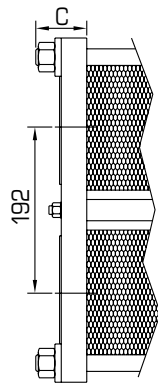
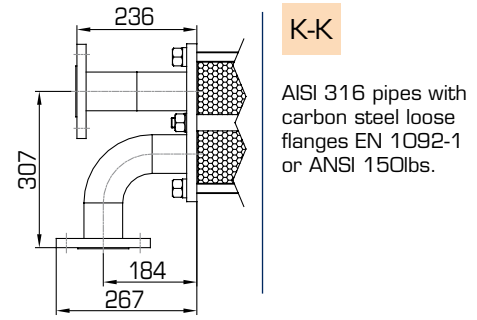
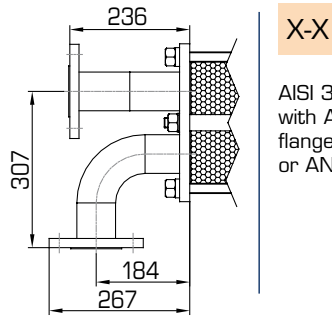
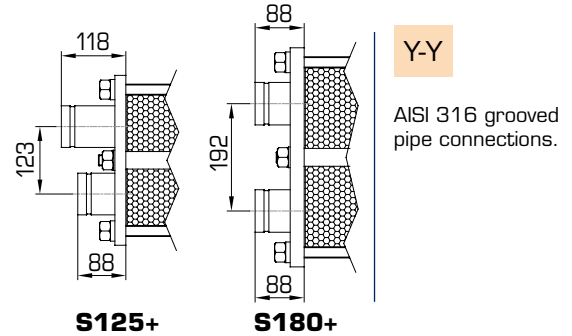
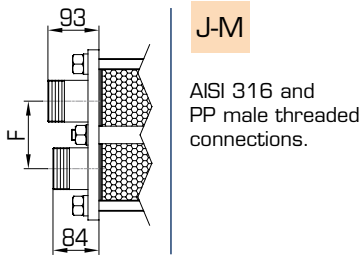
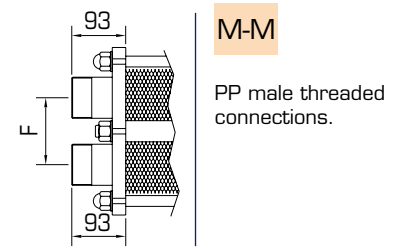
		S125+				S180+			
A		-				J - J	A-A B-B C-C E-E U-U V-V		
		819				996	1030		
B		310				392			
E		603				720			
F		123				192			
I		128				171,5			
Np max		41	71	101	151	41	71	101	151
D max		323	463	603	833	313	443	573	789
d [J-J]		3,3 x Np+2				2,85 x Np+2			
DN		DN65 2"1/2				DN65 2"1/2			
J-J	CI	88				88			
	CII	118				88			
M-M	CI-CII	93				93			
J-M	CI	84				84			
	CII	93				93			
Y-Y	CI	88				88			
	CII	118				88			
X-X K-K	CI	276				-			
	CII	236				-			
A-A B-B C-C E-E	CI	-				4			
U-U V-V	CI	-				0			

All dimensions are in mm - Np = number of plates

Connections design

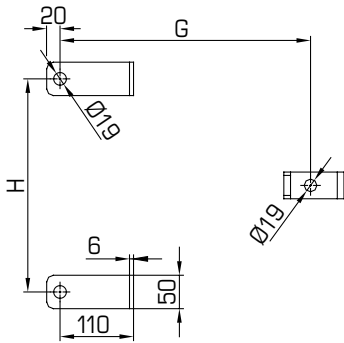


J-J
 AISI 316 male threaded connections.



- A-A** Studded ports. Rubber lining. EN 1092-1.
- B-B** Studded ports. AISI 316 lining. EN 1092-1.
- C-C** Studded ports. Unlined. EN 1092-1.
- E-E** Studded ports. Rubber lining. ANSI (metric thread).
- U-U** Studded ports. AISI 316 lining. ANSI (metric thread).
- V-V** Studded ports. Unlined. ANSI (metric thread).

Feet



GxH	PS10	PS16
S125+		
Max 41p	380	385
Max 71p	520	540
Max 101p	660	665
Max 151p	890	895
S180+		
Max 41p	375	-
Max 71p	505	-
Max 101p	635	-
Max 151p	845	-

Materials

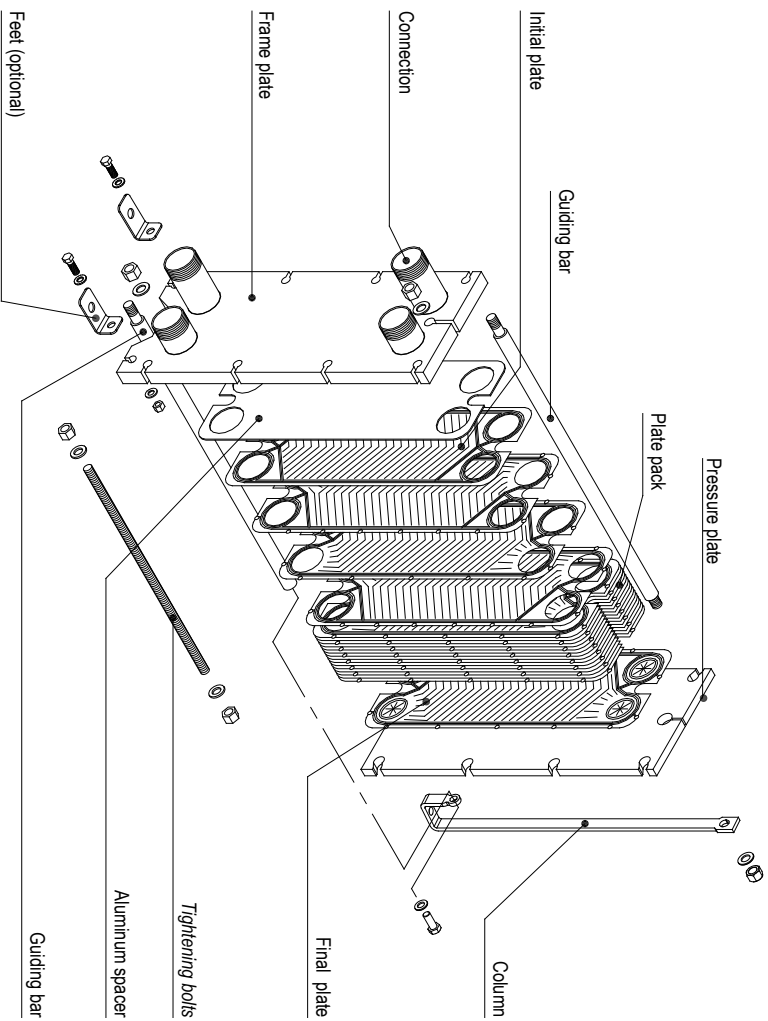
		S125+	S180+
Plates	AISI 304	●	●
	AISI 316L	●	●
	254 SMO	●	
	Titanium	●	●
Gaskets	NBR	●	●
	EPDM Prx.	●	●
	FPM	●	
	HNBR	●	
Frames	Carbon steel	●	●
	SS 304, solid	●	●
Connections	J-J	●	●
	M-M	●	●
	J-M	●	●
	Y-Y	●	●
	X-X	●	
	K-K	●	
	A-A B-B C-C E-E U-U V-V		●

Gaskets material maximum temperatures

NBR	-20 °C	110 °C
EPDM Prx.	-20 °C	160 °C
FPM	-20 °C	200 °C
HNBR	-20 °C	160 °C

The temperatures must be considered not applicable in all working conditions.

Component blow-up drawings Models S125+, S180+



CERTIFICATIONS APPROVALS



• ISO 9001

Quality Management

• PED 2014/68/EU



Pressure Equipment Directive
Module B/D1 & D (up to Risk Cat. IV)



• ACS
Attestation de Conformité Sanitaire



• WRAS
EPDM/px gasket compound approved



• OHSAS 18001
Occupational Health and Safety



• ISO 14001
Environmental Management

MADE IN ITALY



www.cipriani-phe.com